

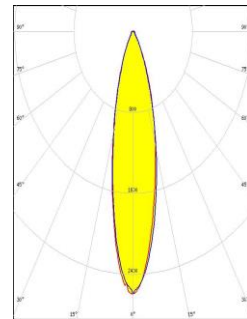
Elegance Market Lighting Fixtures 90W



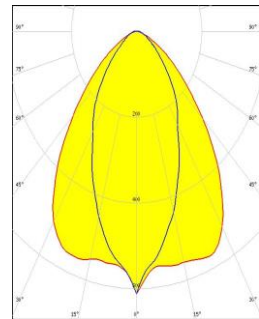
General Application Areas



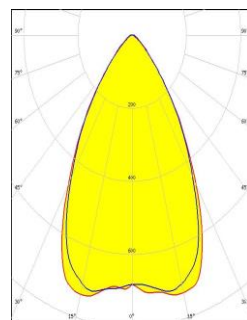
Optical Beam Angles



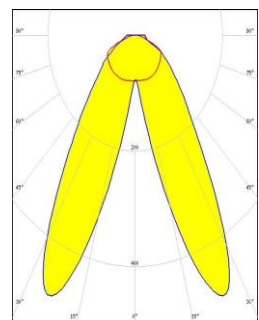
30°



85° + 35°



60°



Double asymmetric

Information

Elegance Series Market Lighting Fixture is designed to replace traditional products with fluorescent light source, especially in grocery stores, industrial plants, warehouses and sports facilities with ceiling heights from 6m to 12 meters.

LED light source food lighting fixtures showcase your products at their best by highlighting their colors and textures to make them look fresh, tasty and attractive. It has been determined that UV or color enhancing filters are not effective in preventing food from changing color, but our fixtures designed with LED technology display your food in the most effective way without exposure to UV or infrared rays. By appealing to the visual perception of your customers, you can preserve the freshness of your products and increase your sales.

The better your food looks, the fresher, tastier, more attractive and appetizing it is perceived. Our led food lighting fixtures show your product with the best color rendering ratio. It allows you to present it in a way that you can almost taste it by highlighting its colors and textures. In this way, by appealing to the visual perception of your customers, you can enable your customers to buy even the products that are not on their list and increase your turnover.

Elegance Market Lighting Fixtures

90W

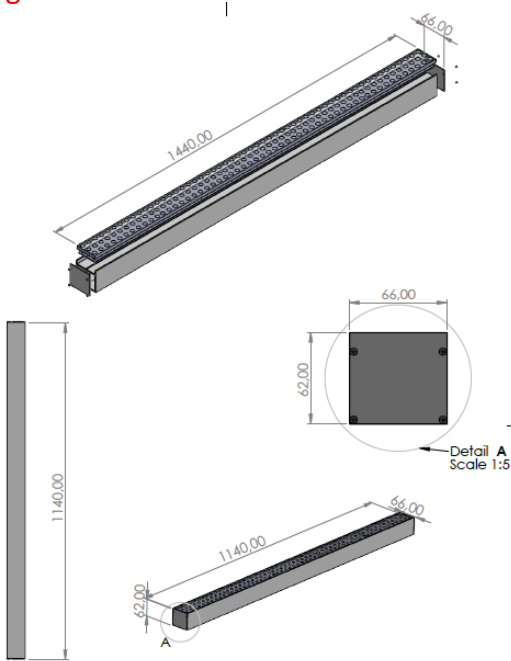
Technical Specifications

Body	:Aluminum Extrusion
IP Protection Class	:IP 40
Luminous Flux	:12600 lm
Light Source	:LED
Test Standards	:TS EN 60598TS, EN 60529, TS EN 62031TS, EN 62262, TS IEC TR 62471TS, EN 62722-2-1

Optical and Electrical Properties

Power	90W	Light Angle	35°-85°/90°/D.ASM.
CE Marks	Yes	Power Factor	>0,9
Optic	PMMA / PC	Max Voltage Withstand	2kV
Effectiveness Factor	145 lm/W	Color Temperature	3000K/4000K/5000K/6500K
Input Voltage	200-240 V AC 50/60 HZ	CRI	>80
Total Harmonic Distortion	<%15	Input Voltage	200-240 V AC 50/60 HZ
Dimensions	1440x68x62 mm	Weight	2.98 kg

Technical Drawing (Side View) and Connection Diagram



Product Variations

Product Code	Power	Input Voltage	CCT	Luminous Flux	Light Angle	Dimensions	Weight	Area of Use
SHLE-050SM-00301-7016	90W	200-240 V AC 50/60 Hz	4000K/5000K/6500K	12600lm	30°	1440X68X62mm	2980	Surface Mounted
SHLE-050SM-00601-7016	90W	200-240 V AC 50/60 Hz	4000K/5000K/6500K	12600lm	60°	1440X68X62mm	2980	Surface Mounted
SHLE-050SM-00901-7016	90W	200-240 V AC 50/60 Hz	4000K/5000K/6500K	12600lm	35°85°	1440X68X62mm	2980	Surface Mounted
SHLE-050PM-00301-7016	90W	200-240 V AC 50/60 Hz	4000K/5000K/6500K	12600lm	30°	1440X68X62mm	2980	Pendant
SHLE-050PM-00601-7016	90W	200-240 V AC 50/60 Hz	4000K/5000K/6500K	12600lm	60°	1440X68X62mm	2980	Pendant
SHLE-050PM-00901-7016	90W	200-240 V AC 50/60 Hz	4000K/5000K/6500K	12600lm	35°85°	1440X68X62mm	2980	Pendant