

# ALSHAIN Low Ceiling Luminaire 72W



## General Application Areas



Factories



Warehouses



Sports Halls

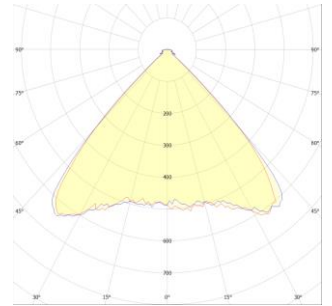


Aircraft Hangars

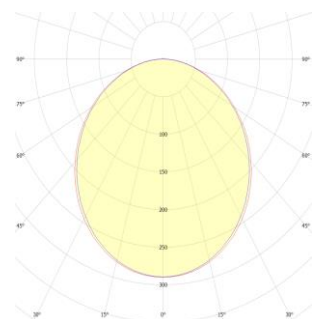


Airports

## Optik Demet Açılı



90°



110°

## General Information

Low Ceiling LED Luminaire is a high power luminaire with various lenses designed for use in industrial facilities, warehouses and sports facilities with ceiling heights up to 6m.

LED modules with high energy efficiency are used in luminaires with a compact chassis structure. It has 90°, 110° options for different applications. It is also classified according to energy consumption. Design and production can be made by determining different light and power values according to the ceiling height of the area to be illuminated.

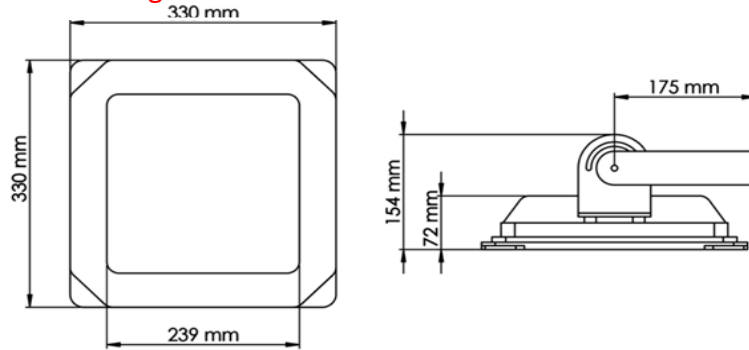
## Technical Specifications

<b>Power</b>	:72W
<b>Input Voltage</b>	:200-240 V AC 50/60 HZ
<b>Power Factor</b>	:>0,9
<b>Effectiveness Factor</b>	:132+lm/W
<b>Luminous Flux</b>	:9504lm
<b>Light Angle</b>	:90°/110°
<b>Color Temperature (CCT)</b>	:3000K /4000K/5000K/ 6500K
<b>Color Rendering Index (CRI)</b>	:80+
<b>IP Protection Class</b>	:IP 66 / IP67 (Optional)
<b>Dimensions</b>	:330x330x154 mm
<b>Weight</b>	:7,9 kg
<b>Garanti Süresi</b>	:5 Years

## Optical and Electrical Properties

<b>Body</b>	Aluminum Extrusion	<b>CE Marking</b>	Yes
<b>Color Options</b>	Black, Gray	<b>RoHS Compliance</b>	Yes
<b>Front Cover</b>	Tempered Glass	<b>Lifetime</b>	≥60.000 Hours
<b>Lens</b>	PMMA	<b>Throttling Options</b>	1-10V, TRIAC, DALI
<b>Light Source</b>	LED	<b>Operating Temperature</b>	-25°/+55°C
<b>Darbe Dayanımı</b>	IK 08- IK 10 (Optional)	<b>Total Harmonic Distortion</b>	<%20

## Technical Drawing and Connection Diagram



## Product Variations

Product Code	Power	Input Voltage	Luminous Flux	Light Angle	Dimensions	Weight
ALS-072SM-00901-850-7016	72W	200-240 V AC 50/60 Hz	9504 lm	90°	330x330x154 mm	7,9 kg
ALS-072CT-00901-850-7016	72W	200-240 V AC 50/60 Hz	9504 lm	90°	330x330x154 mm	7,9 kg
ALS-072BB-00901-865-7016	72W	200-240 V AC 50/60 Hz	9504 lm	90°	330x330x154 mm	7,9 kg
ALS-072SM-00901-850-7016	72W	200-240 V AC 50/60 Hz	9028 lm	110°	330x330x154 mm	7,9 kg
ALS-072CT-00901-850-7016	72W	200-240 V AC 50/60 Hz	9028 lm	110°	330x330x154 mm	7,9 kg
ALS-072BB-00901-850-7016	72W	200-240 V AC 50/60 Hz	9028 lm	110°	330x330x154 mm	7,9 kg