

CASTOR DOB LED Floodlight 30 W



General Application Areas



Closed Parking lots



Factories

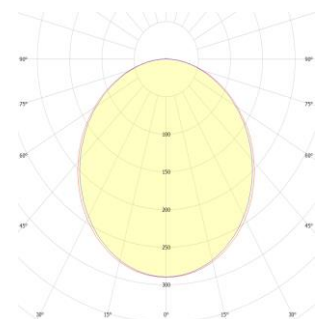


Building Circles



Park Walkway

Optical Beam Angles



110°

General Information

The CASTOR DOB LED Floodlight is a lighting fixture designed for a variety of applications, including parks, gardens, squares, auto-parks, building perimeters, walkways, and landscape lighting. It is mounted on poles ranging from 3 to 7 meters in height. The luminaires feature LED modules with high energy efficiency and a compact frame structure.

The CASTOR DOB LED Floodlight is classified according to LED power, with different sizes and dimensions available. Various light distribution and power options are available to suit different area illumination needs, and designs and productions can be tailored to meet project specifications.

CASTOR DOB LED Floodlight 30 W

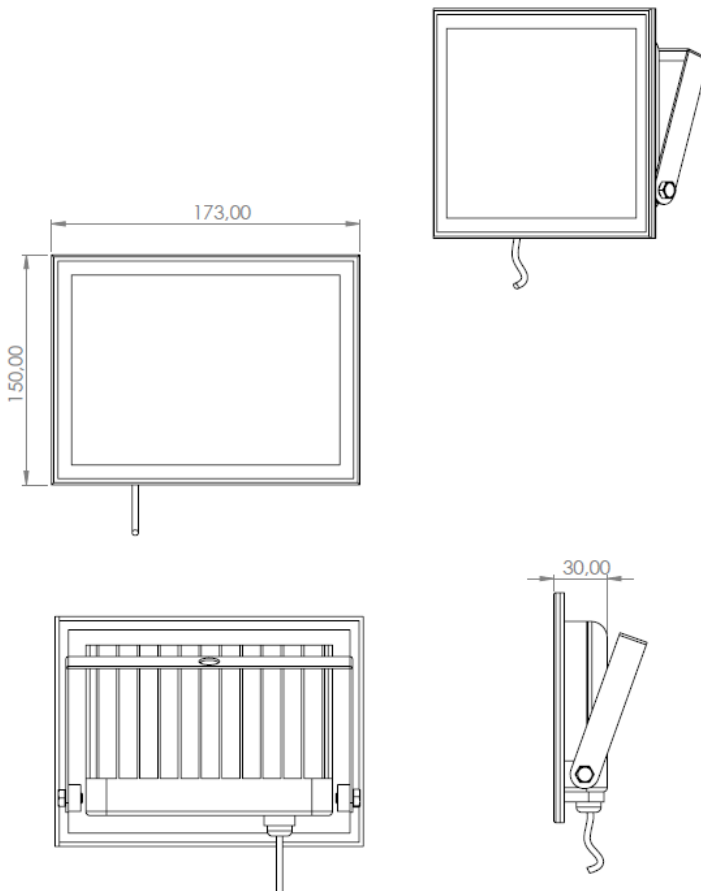
Technical Specifications

Power	:30 W
Input Voltage	:200-240 V AC 50/60 HZ
Power Factor	:>0,9
Effectiveness Factor	:80+lm/W
Luminous Flux	:2400lm
Light Angle	:110°
Color Temperature (CCT)	:6500K
Color Rendering Index (CRI)	:80+
IP Protection Class	:IP 65-IP66(Optional)
Dimensions	:181x173x03mm
Warranty Period	:3 Year

Optical and Electrical Properties

Body	Polycarbon Extrusion	Operating Temperature	-25°/+55°C
Color Options	RAL 9005	RoHS Compliance	Yes
Light source	LED	Lifetime	≥60,000 Hours
Impact Resistance	IK 08	Throttling Options	1-10V, TRIAC, DALI
Total Harmonic Distortion	<%20	CE	No

Technical Drawing and Wiring Diagram



CASTOR DOB LED Floodlight 30 W

Product Variations

Product Code	Power	Input Voltage	Luminous Flux	Light Angle	Dimensions
CSR-030SM-01101-865-9005	30W	200-240-V AC 50-60 HZ	2400 lm	110°	150x173x03mm
CSR-050SM-01101-865-9005	50W	200-240-V AC 50-60 HZ	4000 lm	110°	181x213x04mm
CSR-100SM-01101-865-9005	100W	200-240-V AC 50-60 HZ	8000 lm	110°	250x285x07mm
CSR-150SM-01101-865-9005	150W	200-240-V AC 50-60 HZ	12000 lm	110°	325x425x12mm
CSR-200SM-01101-865-9005	200W	200-240-V AC 50-60 HZ	16000 lm	110°	325x425x13mm